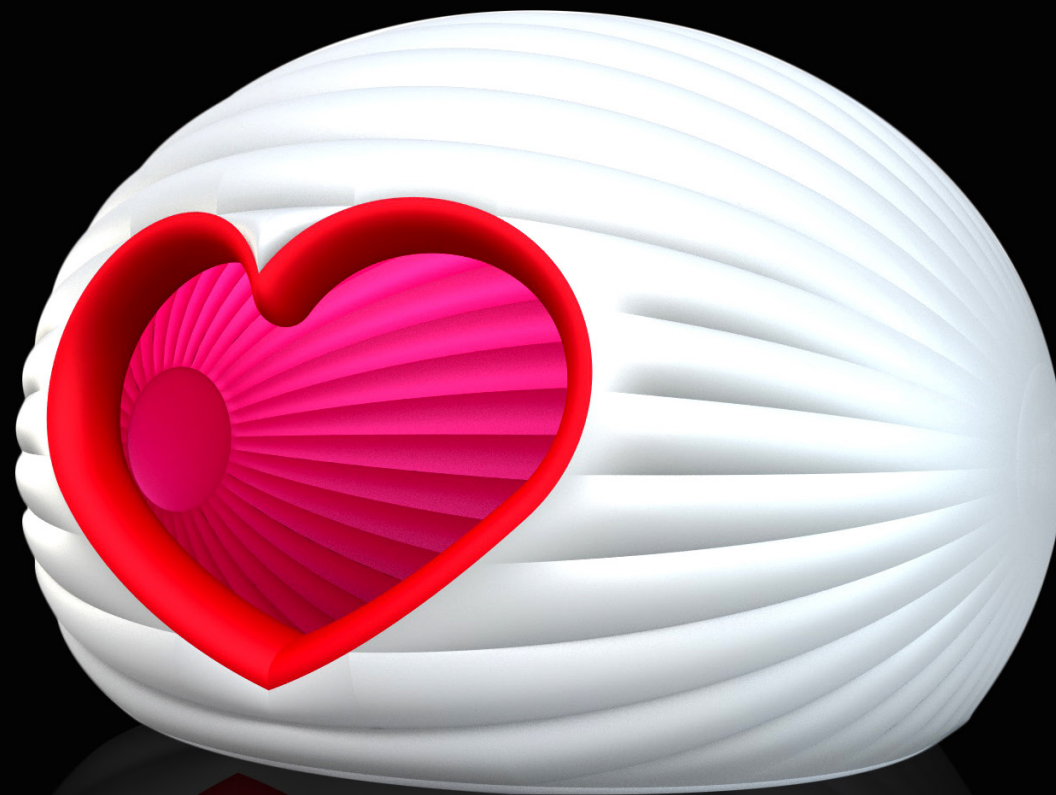


LovePod

Technics Book



October 2014

Designed in England | Made in the Future

IS-008 LovePod

Core Package

• 1 x Structure, 1 x Packing Bag, 1 x Core 125 Fan, 1 x User Manual

Structure

INFLATED EXTERNAL FOOTPRINT: • L 3.3 m W 2.6 m

EXTERNAL FOOT PRINT: • 6.9 m²

INTERNAL USABLE FOOT PRINT: • 4.1 m²

HEART OPENING: • W 1.6 m , H 1.4 m

FABRICS: • FR treated rip-stop nylon.

Power and Fans

FANS: • 1 x Core 125 Fans

POWER DRAWN: • 0.17 amp

FAN DIMENSIONS: • 0.36 m x 0.36 m x 0.36 m (boxed)

NOTE: It is the responsibility of the client (unless agreed otherwise) or site management to ensure that the power used for fans is secure and tested. The above power consumption is for fans only and covers no extra electrical items. No other item should be connected to the fans power lines. Inflate accepts no responsibility for damages to equipment or damages to inflatable structures, injuries to persons, or loss of earnings due to electrical power faults. All fans have 0.3 m 13 amp plug unless otherwise requested. All fans run on 220 Volt standard. For other power levels please consult with Inflate at time of order/enquiry.

Packed Structure

ESTIMATED PACKED SIZE: • 1 x Packing Bag of 0.6m x 0.5m x 0.4m

STRUCTURE WEIGHT: • Gross 9 Kgs

FAN WEIGHT: • 3 kgs

TOTAL WEIGHT: • 12 kgs + package

Installation and Derig

CREW: • min. 1 person

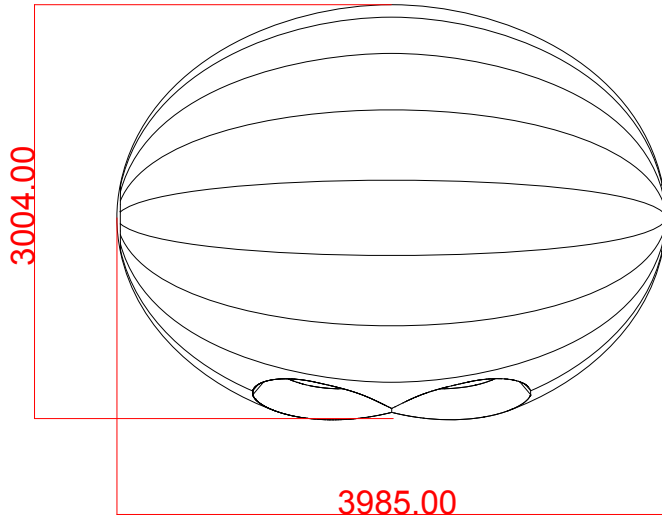
SET UP TIME: • From 5 mins

INFLATION TIME: • 3 mins for structure when fixed

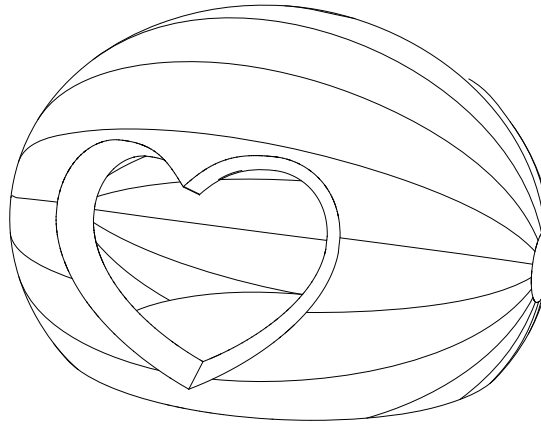
DERIG TIME: • From 5 mins

NOTE: The above refers to setting up the structures and inflation only. Minimums given are to achieve secure installation. Times may vary due to on site location factors, lack of access and other elements outside of Inflates control. Inflate accepts no responsibility for damages to equipment or damages to inflatable structures, injuries to persons, or loss of earnings due to incorrect structure installation method.

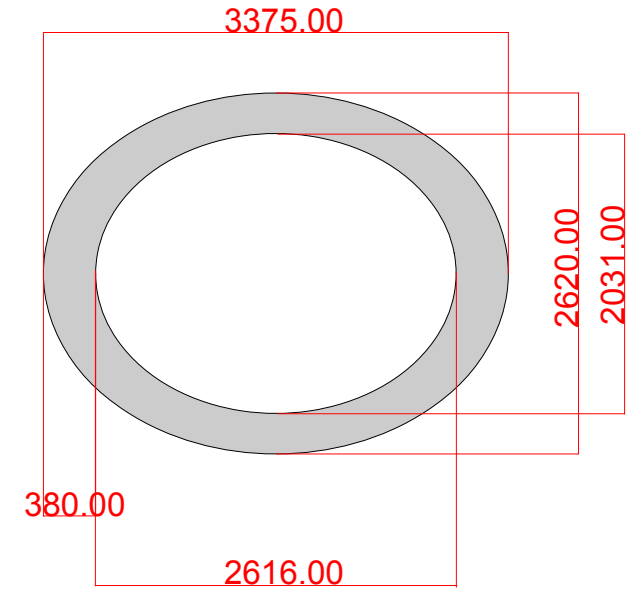
NOTE: Please refer to attached technical drawings for specific details on structure and accessory positions. Please note this information is given as guidance only. Inflate accept no responsibility for variations in dimensions or weights.



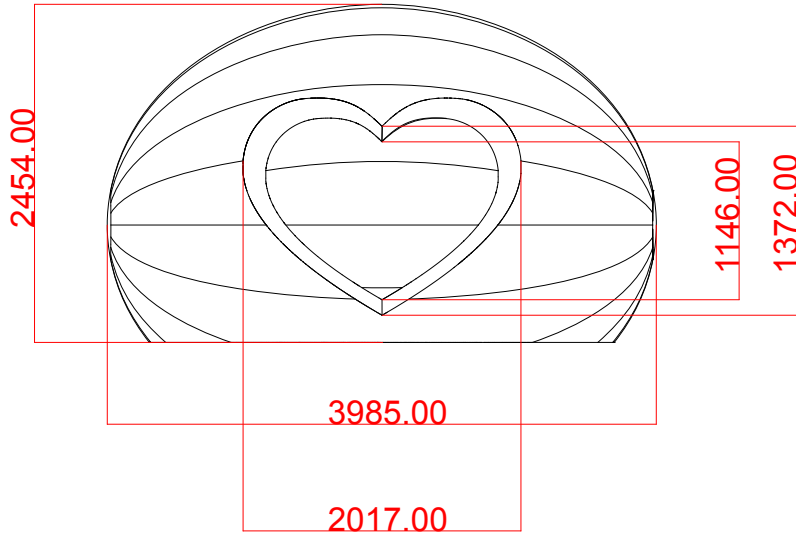
Plan View



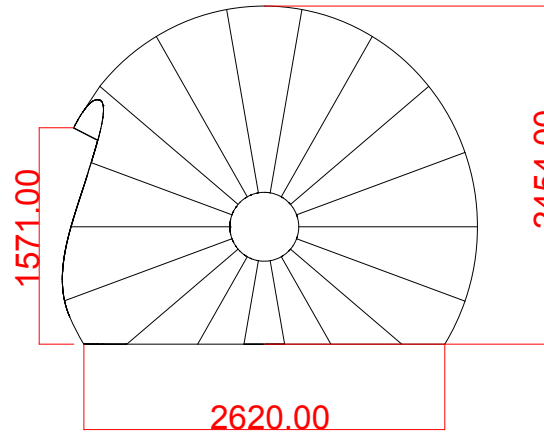
Perspective



Footprint



Front View

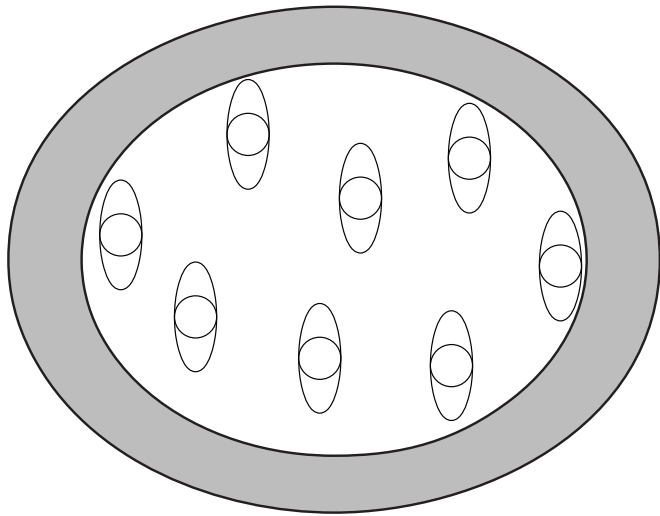


Side View

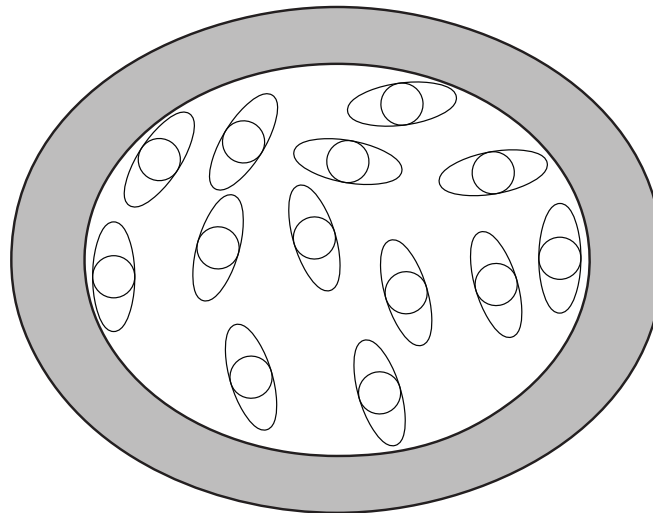
General Arrangement Drawings

LovePod

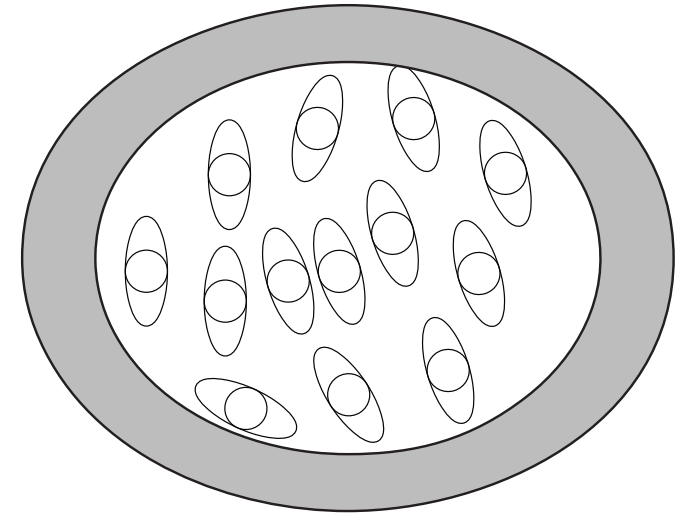
Designed in England | Made in the Future



Low Density 1/m²
15 Person



Medium Density 2/m²
25 People



High Density 3/m²
31 People

Product Capacities

LovePod

Designed in England | Made in the Future